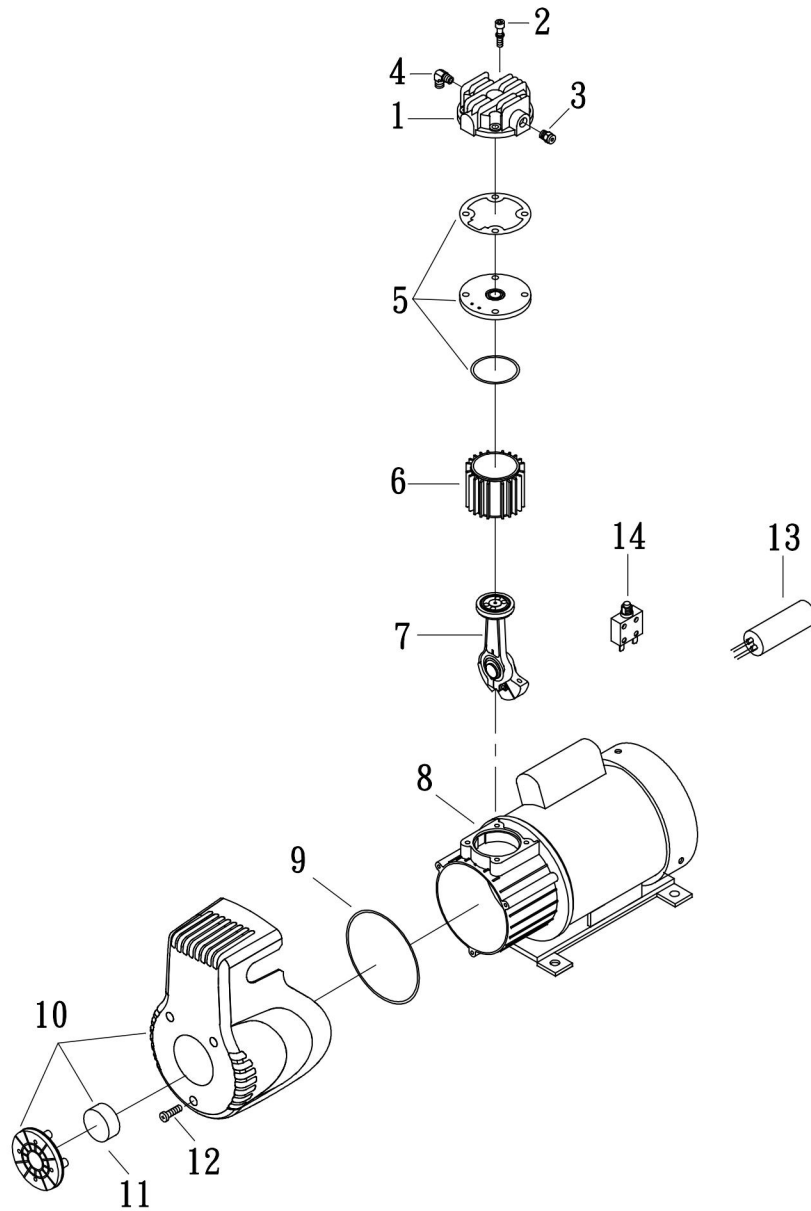


# MODEL :LA-5721 (Pump)

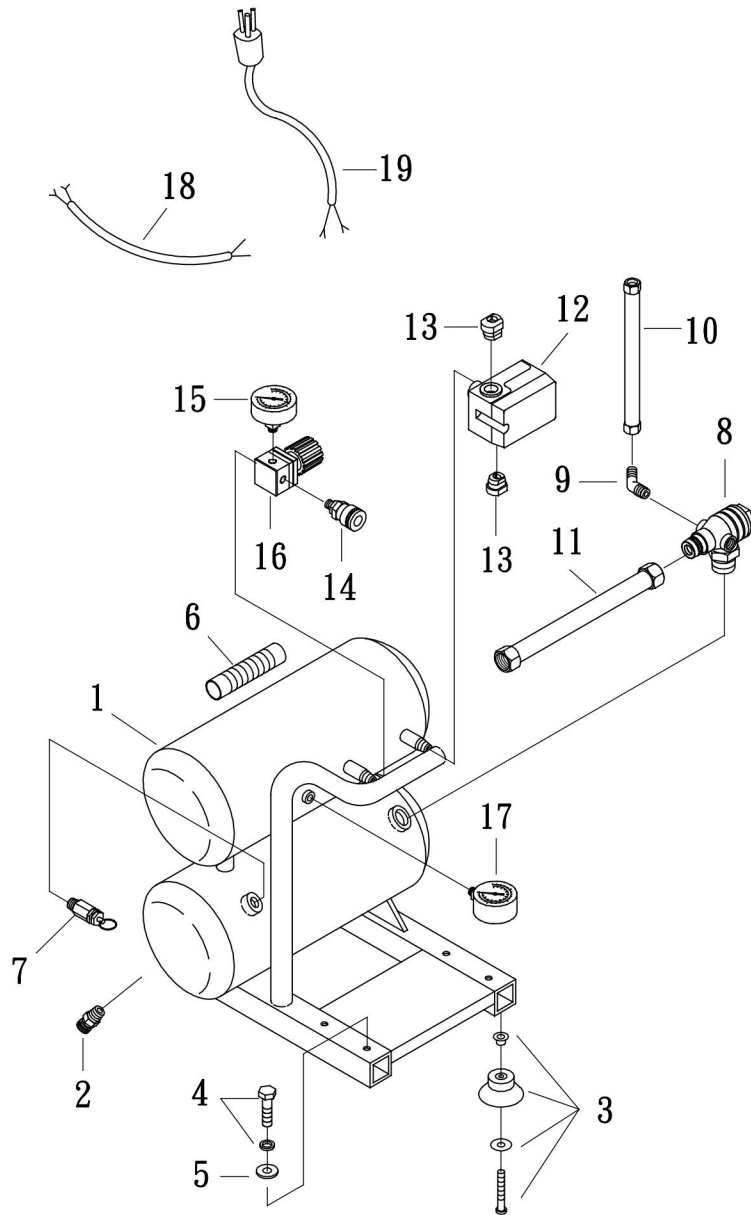


## SPARE PARTS LIST

NO : MP-1910

REF. NO.	DESCRIPTION	PART NO.	QTY.	REF. NO.	DESCRIPTION	PART NO.	QTY.
1	Cylinder head	3101096H	1	8	Motor set	3B8-MB5702S	1
2	Allen bolt set	3B01-M06*080V	4	9	Front cover gasket	2G07-009	1
3	Auto relief valve	2409003	1	10	Shroud	2428036	1
4	Exhaust elbow	2N06-02T03HL	1	11	Filter element	2142014	1
5	Exhaust valve seat set	3B11-A9000A	1	12	Bolt	2B02-FM5*015	3
6	Cylinder	3201065	1	13	Running capacitor	2E27-065F2545	1
7	Rod set	3B34-MB57	1	14	Circuit breaker	2E25-08A	1

# MODEL :LA-5721 (Receive Tank)



## SPARE PARTS LIST

NO : MP-1910

REF. NO.	DESCRIPTION	PART NO.	QTY.	REF. NO.	DESCRIPTION	PART NO.	QTY.
1	Air tank	3401427	1	11	Exhaust soft tube	2T02-03*0270	1
2	Drain valve	2405011	1	12	Pressure switch	2E21-CA276AP	1
3	Rubber pad set	3433005-A	4	13	Strain relief bushing	2E04-010	2
4	Hexagon bolt set	3B00-FM08*015V	4	14	Quick coupler	07MS01/4M-B	1
5	Rubber gasket	2439008	4	15	Pressure gauge	2D12-15D15KS	1
6	Grip	2432003	1	16	Regulator	2408008LNX	1
7	Pressure relief valve	2406018A	1	17	Pressure gauge	2D12-15V15KS	1
8	Check valve	2414036X	1	18	Cable	2E02-1230382Y2T	1
9	Unloading elbow	2N06-01T02H	1	19	Power cable	2E01-012S	1
10	Unloading tube	3B2-02*260F	1				